

Li-Ion:
available from 1 July 2017

STILL



FM-X Technical Data Driver Seated Reach Truck



FM-X 10/Li-Ion

FM-X 12/Li-Ion

FM-X 14/Li-Ion

FM-X 17/Li-Ion

FM-X 20/Li-Ion

FM-X 25/Li-Ion



first in intralogistics



Distinguishing marks	1.1		STILL	STILL	STILL	STILL	STILL	STILL	STILL	STILL
	1.2		FM-X 10/Li-Ion*	FM-X 10 N	FM-X 12/Li-Ion*	FM-X 12 N	FM-X 14/Li-Ion*	FM-X 14 N	FM-X 14 W/Li-Ion*	FM-X 14 EW/Li-Ion*
	1.3		Electric	Electric	Electric	Electric	Electric	Electric	Electric	Electric
	1.4		Seated	Seated	Seated	Seated	Seated	Seated	Seated	Seated
	1.5		Q	1000	1000	1200	1200	1400	1400	1400
	1.6		c	mm	600	600	600	600	600	600
	1.8		x	mm	278	184	278	184	348	335
	1.9		y	mm	1275	1275	1275	1275	1381	1453
Weights	2.1			kg	3230	3200	3240	3210	3470	3430
	2.3		drive end/load end	kg	2040/1190	1970/1230	2130/1100	1970/1230	2250/1220	2120/1310
	2.4		drive end/load end	kg	960/3270	920/3280	850/3580	920/3280	850/4010	860/3970
	2.5		drive end/load end	kg	1730/2500	1590/2610	1820/2610	1590/2610	1950/2910	1770/3060
Tyres/chassis	3.1				Polyurethane	Polyurethane	Polyurethane	Polyurethane	Polyurethane	Polyurethane
	3.2		drive end	mm	∅ 360 x 130	∅ 360 x 130	∅ 360 x 130	∅ 360 x 130	∅ 360 x 130	∅ 360 x 130
	3.3		load end	mm	∅ 285 x 100	∅ 285 x 100	∅ 285 x 100	∅ 285 x 100	∅ 285 x 100	∅ 285 x 100
	3.5		drive end/load end		1x/2	1x/2	1x/2	1x/2	1x/2	1x/2
	3.7		load end	b ₁₁	mm	1167	1037	1167	1037	1167
Dimensions	4.1		forward/backward ³	α/β	°	1/3	2/4	1/3	2/4	1/3
	4.2		mast lowered	h ₁	mm	2450	2450	2450	2450	2450
	4.3			h ₂	mm	1890	1890	1890	1890	1890
	4.4			h ₃	mm	5750	5750	5750	5750	5750
	4.5		mast extended	h ₄	mm	6310	6310	6310	6310	6310
	4.7			h ₆	mm	2200	2200	2200	2200	2200
	4.8			h ₇	mm	1140	1140	1140	1140	1140
	4.10			h ₈	mm	308	308	308	308	308
	4.19			l ₁	mm	2366	2462	2366	2462	2402
	4.20			l ₂	mm	1216	1312	1216	1312	1252
	4.21			b ₁ /b ₂	mm	1270	1140	1270	1140	1270
	4.22		DIN ISO 2331	s/e/l	mm	40/80/1150	40/80/1150	40/100/1150	40/100/1150	40/100/1150
	4.23				mm	2/A	2/A	2/A	2/A	2/A
	4.24			b ₃	mm	760	760	760	760	760
	4.25		min./max.	b ₅	mm	296/600	296/600	296/600	296/600	316/620
	4.26			b ₄	mm	920	790	920	790	920
	4.28			l ₄	mm	449	364	449	364	529
	4.31			m ₁	mm	70	70	70	70	70
	4.32			m ₂	mm	70	70	70	70	70
	4.34.1			A _{st}	mm	2679	2733	2679	2733	2727
4.34.2			A _{st}	mm	2746	2812	2746	2812	2782	
4.35			W _a	mm	1540	1520	1540	1520	1640	
4.37			l ₇	mm	1639	1641	1639	1641	1745	
4.43				mm	345	345	345	345	345	
Performance data	5.1		laden/unladen	km/h	14/14	14/14	14/14	14/14	14/14	14/14
	5.1.1		laden/unladen	km/h	14/14	14/14	14/14	14/14	14/14	14/14
	5.2			m/s	0.47/0.70	0.47/0.70	0.47/0.70	0.47/0.70	0.45/0.68	0.45/0.68
	5.3			m/s	0.56/0.50	0.56/0.50	0.56/0.50	0.56/0.50	0.56/0.52	0.56/0.52
	5.4			m/s	0.18	0.18	0.18	0.18	0.18	0.18
	5.7			%	10/15	10/15	10/15	10/15	10/15	10/15
	5.8			%	15/20	15/20	15/20	15/20	15/20	15/20
	5.9			s	4.5/4.0	4.5/4.0	4.5/4.0	4.5/4.0	4.5/4.0	4.5/4.0
	5.10					Regenerative-electric/hydraulic	Regenerative-electric/hydraulic	Regenerative-electric/hydraulic	Regenerative-electric/hydraulic	Regenerative-electric/hydraulic
Electric engine	6.1			kW	6.5	6.5	6.5	6.5	6.5	
	6.2			kW	14	13	14	14	14	
	6.3				43531 C/254-2	43531 B/254-2	43531 C/254-2	43531 B/254-2	43531 C/254-2	
	6.4			V/Ah	48/465 Li-Ion: 48/204	48/465	48/465 Li-Ion: 48/204	48/465	48/465	48/620 Li-Ion: 48/204
	6.5			kg	750	750	750	750	750	
	6.6			kWh/h	2.88	2.88	3.23	3.23	3.40	
Misc.	10.1			bar	200	200	200	200	200	
	10.2			l/min	20	20	20	20	20	
	10.7			dB(A)	69	69	69	69	69	

* Li-Ion: available from 1 July 2017

All measurements including sideshift mast or sideshift forks (carriage)

¹ Values decrease by 72 mm per battery size for larger batteries. Applies to the FM-X, FM-X W and FM-X EW;
Values decrease by 90 mm per battery size for larger batteries. Applies to the FM-X N

² Aisle width for pallet 1000 x 1200 crosswise:

- Values increase by 56 mm per battery size for larger batteries. Applies to the FM-X, FM-X W and FM-X EW;
- Values increase by 74 mm per battery size for larger batteries. Applies to the FM-X N

Aisle width for pallet 800 x 1200 lengthwise:

- Values increase by 66 mm per battery size for larger batteries. Applies to the FM-X, FM-X W and FM-X EW;
- Values increase by 85 mm per battery size using larger batteries. Applies to the FM-X N

³ May vary according to the mast, with sideshift/fork tilt 2°/4°

⁴ With the option cabin/wind protection, height h₆ is 2180 mm

⁵ With optional cabin, length will be extended by 150 mm

⁶ Increases in steps of 72 mm for each larger battery size for FM-X, FM-X W, FM-X EW models

Increases in steps of 90 mm for each larger battery size for FM-X N model

FM-X Driver Seated Reach Truck
Top-level precision

This specification sheet, which conforms to VDI guideline 2198, provides the technical values for the standard equipment only. Different tyres, other masts, the use of accessories, etc., may result in other values.



Distinguishing marks	1.1		Manufacturer	STILL	STILL	STILL	STILL	STILL	STILL		
	1.2		Manufacturer's type designation	FM-X 17/Li-Ion*	FM-X 17 N	FM-X 17 W/Li-Ion*	FM-X 17 EW/Li-Ion*	FM-X 20/Li-Ion*	FM-X 20 N		
Weights	1.3		Drive	Electric	Electric	Electric	Electric	Electric	Electric		
	1.4		Operator type	Seated	Seated	Seated	Seated	Seated	Seated		
	1.5		Rated capacity/rated load	Q	kg	1700	1700	1700	2000	2000	
	1.6		Load capacity at load centre distance	c	mm	600	600	600	600	600	
	1.8		Load centre distance ¹	x	mm	410	325	338	410	307	
	1.9		Wheel base	y	mm	1453	1453	1453	1525	1525	
	2.1		Service weight (incl. battery)		kg	3470	3500	3740	3820	3830	
	2.3		Axle loading, unladen	drive end/load end	kg	2290/1180	2220/1280	2390/1350	2440/1350	2450/1380	
	2.4		Axle loading, fork advanced, laden	drive end/load end	kg	730/4440	670/4520	900/4550	950/4550	820/5000	830/5010
2.5		Axle loading, fork retracted, laden	drive end/load end	kg	2030/3140	1850/3340	2050/3390	2100/3390	2180/3640	2010/3820	
Tyres/chassis	3.1		Tyres		Polyurethane	Polyurethane	Polyurethane	Polyurethane	Polyurethane		
	3.2		Tyre size	drive end	mm	∅ 360 x 130	∅ 360 x 130	∅ 360 x 130	∅ 360 x 130	∅ 360 x 130	
	3.3		Tyre size	load end	mm	∅ 285 x 100	∅ 285 x 100	∅ 285 x 100	∅ 285 x 100	∅ 350 x 100	
	3.5		Number of wheels (x = driven)	drive end/load end		1x/2	1x/2	1x/2	1x/2	1x/2	
	3.7		Tread	load end	b ₁₁	mm	1167	1037	1367	1567	1167
	4.1		Tilt of mast/fork carriage	forward/backward ³	α/β	°	1/3	2/4	1/3	1/3	2/4
	4.2		Height	mast lowered	h ₁	mm	2450	2450	2450	2450	2450
Dimensions	4.3		Free lift	h ₂	mm	1880	1880	1880	1880	1880	
	4.4		Lift	h ₃	mm	5750	5750	5750	5580	5580	
	4.5		Height	mast extended	h ₄	mm	6320	6320	6320	6150	6150
	4.7		Height of overhead guard (cabin) ⁴	h ₆	mm	2200	2200	2200	2200	2200	
	4.8		Seat height	h ₇	mm	1140	1140	1140	1140	1140	
	4.10		Height of wheel arms	h ₈	mm	308	308	308	308	373	
	4.19		Overall length ^{2,5,6}	l ₁	mm	2412	2499	2484	2484	2589	
	4.20		Length to face of forks ^{2,5,6}	l ₂	mm	1262	1349	1334	1334	1439	
	4.21		Overall width	b ₁ /b ₂	mm	1270	1140	1470	1670	1270	
	4.22		Fork dimensions	DIN ISO 2331	s/e/l	mm	50/100/1150	50/100/1150	50/100/1150	50/100/1150	50/100/1150
	4.23		Fork carriage ISO 2328, class/type A, B			2/A	2/A	2/A	2/A	2/A	
	4.24		Fork carriage width	b ₃	mm	760	760	760	760	760	
	4.25		Distance between fork arms	min./max.	b ₅	mm	316/620	316/620	316/620	316/620	
	4.26		Distance between wheel arms/loading surfaces		b ₄	mm	920	790	1120	1320	920
	4.28		Reach distance		l ₄	mm	591	505	519	623	520
	4.31		Ground clearance, laden, below mast		m ₁	mm	70	70	70	70	
	4.32		Ground clearance, centre of wheel base		m ₂	mm	70	70	70	70	
	4.34.1		Aisle width for pallets 1000 x 1200 crossways ²		A _{st}	mm	2752	2795	2844	2879	2879
	4.34.2		Aisle width for pallets 800 x 1200 lengthways ²		A _{st}	mm	2796	2854	2901	2936	2864
	4.35		Turning radius		W _a	mm	1710	1691	1750	1785	1778
	4.37		Length across wheel arms		l ₇	mm	1817	1819	1817	1817	1922
	4.43		Step height			mm	345	345	345	345	345
	Performance data	5.1		Travel speed	laden/unladen	km/h	14/14	14/14	14/14	14/14	14/14
5.1.1		Travel speed backwards	laden/unladen	km/h	14/14	14/14	14/14	14/14	14/14		
5.2		Lift speed	laden/unladen	m/s	0.45/0.68	0.45/0.68	0.45/0.68	0.45/0.68	0.37/0.58		
5.3		Lowering speed	laden/unladen	m/s	0.55/0.52	0.55/0.52	0.56/0.52	0.56/0.52	0.53/0.50		
5.4		Reaching speed	laden/unladen	m/s	0.18	0.18	0.18	0.18	0.18		
5.7		Gradeability	laden/unladen	%	10/15	10/15	10/15	10/15	10/15		
5.8		Max. gradeability	laden/unladen	%	15/20	15/20	15/20	15/20	15/20		
5.9		Acceleration time (over 10 m)	laden/unladen	s	4.5/4.0	4.5/4.0	4.5/4.0	4.5/4.0	4.5/4.0		
5.10		Service brake			Regenerative-electric/hydraulic	Regenerative-electric/hydraulic	Regenerative-electric/hydraulic	Regenerative-electric/hydraulic	Regenerative-electric/hydraulic		
Electric engine		6.1		Drive motor rating S2 = 60 min		kW	6.5	6.5	6.5	6.5	6.5
	6.2		Lift motor rating S3 = 15%		kW	14	14	14	14	14	
	6.3		Battery according to DIN 43531/35/36 A, B, C, no			43531 C/254-2	43531 B/254-2	43531 C/254-2	43531 C/254-2	43531 B/254-2	
	6.4		Battery voltage/nominal capacity K _s		V/Ah	48/465 Li-Ion: 48/204	48/465	48/420 Li-Ion: 48/817	48/620 Li-Ion: 48/817	48/620 Li-Ion: 48/817	
	6.5		Battery weight (depending on manufacturer ±5%)		kg	750	750	940	940	940	
	6.6		Energy consumption according to VDI cycle		kWh/h	3.56	3.56	3.56	3.56	3.59	
Misc.	10.1		Operating pressure for attachments		bar	200	200	200	200	200	
	10.2		Oil volume for attachments		l/min	20	20	20	20	20	
	10.7		Sound pressure level at driver's seat		dB(A)	69	69	69	69	69	

* Li-Ion: available from 1 July 2017

All measurements including sideshift mast or sideshift forks (carriage)

¹ Values decrease by 72 mm per battery size for larger batteries. Applies to the FM-X, FM-X W and FM-X EW;
Values decrease by 90 mm per battery size for larger batteries. Applies to the FM-X N

² Aisle width for pallet 1000 x 1200 crosswise:
- Values increase by 56 mm per battery size for larger batteries. Applies to the FM-X, FM-X W and FM-X EW;
- Values increase by 74 mm per battery size for larger batteries. Applies to the FM-X N

Aisle width for pallet 800 x 1200 lengthwise:
- Values increase by 66 mm per battery size for larger batteries. Applies to the FM-X, FM-X W and FM-X EW;
- Values increase by 85 mm per battery size using larger batteries. Applies to the FM-X N

³ May vary according to the mast, with sideshift/fork tilt 2°/4°

⁴ With the option cabin/wind protection, height h₆ is 2180 mm

⁵ With optional cabin, length will be extended by 150 mm

⁶ Increases in steps of 72 mm for each larger battery size for FM-X, FM-X W, FM-X EW models
Increases in steps of 90 mm for each larger battery size for FM-X N model

FM-X Driver Seated Reach Truck
Top-level precision

This specification sheet, which conforms to VDI guideline 2198, provides the technical values for the standard equipment only. Different tyres, other masts, the use of accessories, etc., may result in other values.



Distinguishing marks	1.1		STILL	STILL	STILL	STILL	STILL	STILL
	1.2		FM-X 20 W/Li-Ion*	FM-X 20 EW/Li-Ion*	FM-X 20 HD/Li-Ion*	FM-X 25/Li-Ion*	FM-X 25 W/Li-Ion*	FM-X 25 EW/Li-Ion*
Weights	1.3		Electric	Electric	Electric	Electric	Electric	Electric
	1.4		Seated	Seated	Seated	Seated	Seated	Seated
	1.5		Q	2000	2000	2000	2500	2500
	1.6		c	600	600	600	600	600
	1.8		x	410	410	482	482	482
	1.9		y	1525	1525	1669	1669	1669
	2.1			3870	3920	5110	4110	4140
	2.3		drive end/load end	2490/1380	2510/1410	3030/2080	2640/1470	2620/1520
	2.4		drive end/load end	840/5030	860/5060	900/6410	810/5790	790/5840
2.5		drive end/load end	2200/3670	2220/3700	2810/4500	2420/4190	2400/4240	
Tyres/chassis	3.1		Polyurethane	Polyurethane	Polyurethane	Polyurethane	Polyurethane	Polyurethane
	3.2		drive end	∅ 360 x 130	∅ 360 x 130	∅ 360 x 140	∅ 360 x 140	∅ 360 x 140
	3.3		load end	∅ 350 x 100	∅ 350 x 100	∅ 350 x 100	∅ 350 x 100	∅ 350 x 100
	3.5		drive end/load end	1x/2	1x/2	1x/2	1x/2	1x/2
	3.7		load end	b ₁₁	1367	1567	1167	1367
	4.1		forward/backward ³	α/β	1/3	1/3	2/4	1/3
	4.2		mast lowered	h ₁	2450	2450	5200	2450
Dimensions	4.3		h ₂	1880	1880	4578	1828	1828
	4.4		h ₃	5580	5580	12500	5580	5580
	4.5		mast extended	h ₄	6150	6150	13122	6202
	4.7		h ₆	2200	2200	2200	2200	2200
	4.8		h ₇	1140	1140	1140	1140	1140
	4.10		h ₈	373	373	373	373	373
	4.19		l ₁	2484	2484	2556	2556	2556
	4.20		l ₂	1334	1334	1406	1406	1406
	4.21		b ₁ /b ₂	1470	1670	1270	1270	1470
	4.22		DIN ISO 2331	s/e/l	50/100/1150	50/100/1150	50/120/1150	50/120/1150
	4.23		2/A	760	760	760	760	760
	4.24		b ₃	760	760	760	760	760
	4.25		min./max.	b ₅	316/620	316/620	336/640	336/640
	4.26		b ₄	1120	1320	920	920	1120
	4.28		l ₄	623	623	695	695	695
	4.31		m ₁	70	70	70	70	70
	4.32		m ₂	70	70	50	50	50
	4.34.1		A _{st}	2857	2892	2908	2908	2943
	4.34.2		A _{st}	2901	2936	2937	2937	2972
	4.35		W _a	1815	1850	1915	1915	1950
	4.37		l ₇	1922	1922	2066	2066	2066
	4.43			345	345	345	345	345
	Performance data	5.1		laden/unladen	14/14	14/14	14/14	14/14
5.1.1		laden/unladen	14/14	14/14	14/14	14/14	14/14	
5.2		laden/unladen	0.37/0.58	0.37/0.58	0.34/0.50	0.34/0.50	0.34/0.50	
5.3		laden/unladen	0.53/0.50	0.53/0.50	0.52/0.50	0.52/0.50	0.52/0.50	
5.4		laden/unladen	0.18	0.18	0.18	0.18	0.18	
5.7		laden/unladen	10/15	10/15	10/15	10/15	10/15	
5.8		laden/unladen	15/20	15/20	15/20	15/20	15/20	
5.9		laden/unladen	4.5/4.0	4.5/4.0	4.5/4.0	4.5/4.0	4.5/4.0	
5.10			Regenerative-electric/hydraulic	Regenerative-electric/hydraulic	Regenerative-electric/hydraulic	Regenerative-electric/hydraulic	Regenerative-electric/hydraulic	
Electric engine		6.1			6.5	6.5	6.5	6.5
	6.2			14	14	14	14	
	6.3			43531 C/254-2	43531 C/254-2	43531 C/254-2	43531 C/254-2	
	6.4		V/Ah	48/620 Li-Ion: 48/817	48/620 Li-Ion: 48/817	48/775 Li-Ion: 48/817	48/775 Li-Ion: 48/817	48/775 Li-Ion: 48/817
	6.5			940	940	1120	1120	
	6.6			3.59	3.59	3.59	4.49	
Misc.	10.1			200	200	200	200	
	10.2			20	20	20	20	
	10.7			69	69	69	69	

* Li-Ion: available from 1 July 2017

All measurements including sideshift mast or sideshift forks (carriage)

¹ Values decrease by 72 mm per battery size for larger batteries. Applies to the FM-X, FM-X W and FM-X EW;
Values decrease by 90 mm per battery size for larger batteries. Applies to the FM-X N

² Aisle width for pallet 1000 x 1200 crosswise:
- Values increase by 56 mm per battery size for larger batteries. Applies to the FM-X, FM-X W and FM-X EW;
- Values increase by 74 mm per battery size for larger batteries. Applies to the FM-X N

Aisle width for pallet 800 x 1200 lengthwise:
- Values increase by 66 mm per battery size for larger batteries. Applies to the FM-X, FM-X W and FM-X EW;
- Values increase by 85 mm per battery size using larger batteries. Applies to the FM-X N

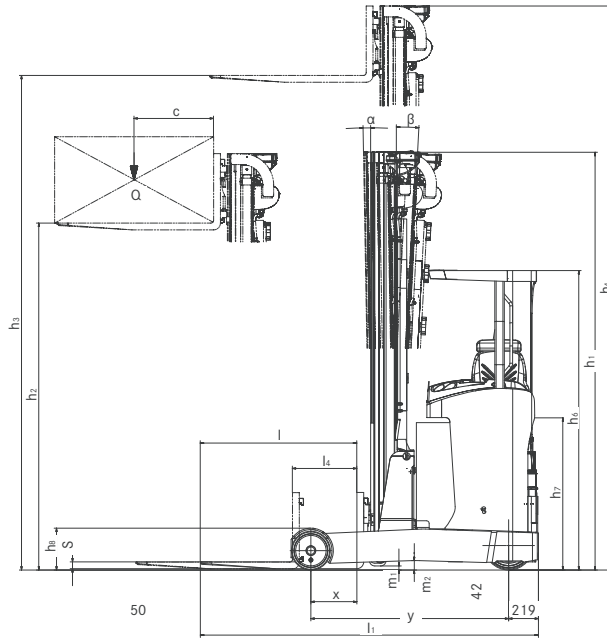
³ May vary according to the mast, with sideshift/fork tilt 2°/4°

⁴ With the option cabin/wind protection, height h₆ is 2180 mm

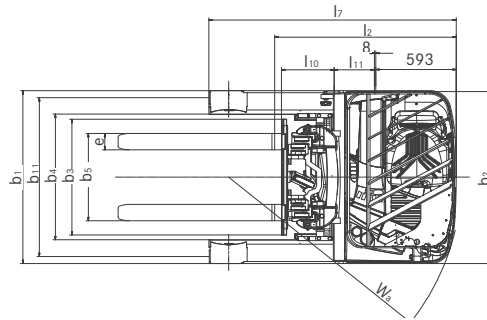
⁵ With optional cabin, length will be extended by 150 mm

⁶ Increases in steps of 72 mm for each larger battery size for FM-X, FM-X W, FM-X EW models
Increases in steps of 90 mm for each larger battery size for FM-X N model

FM-X Driver Seated Reach Truck
 Technical Drawings



Side view



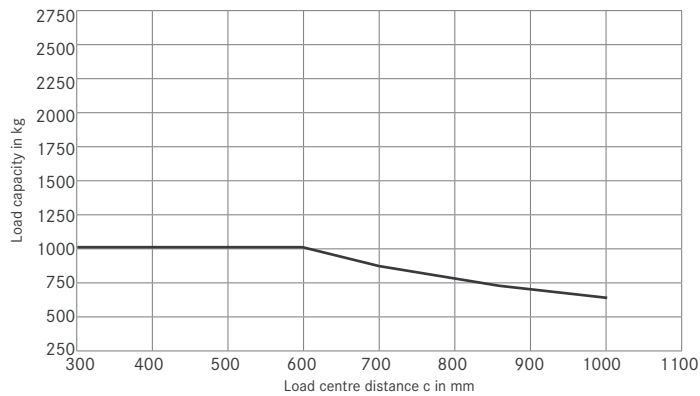
Top view



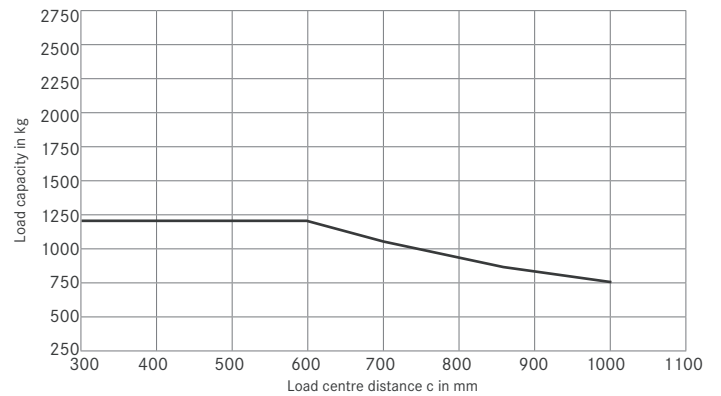
FM-X Driver Seated Reach Truck

Basic Load Capacities

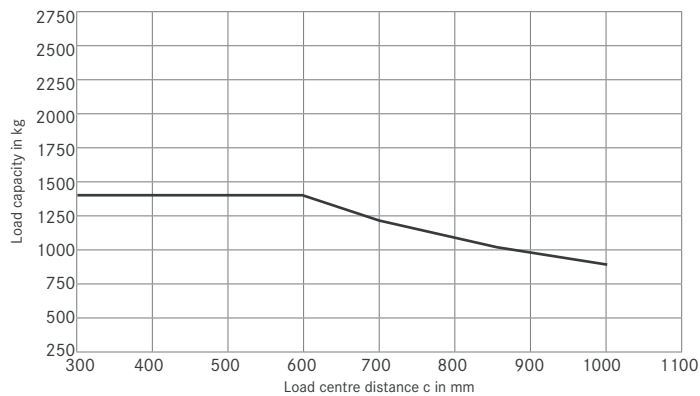
Load capacity FM-X 10/10 N



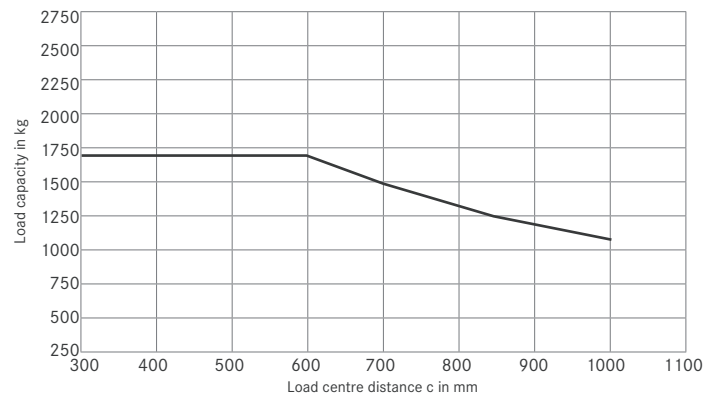
Load capacity FM-X 12/12 N



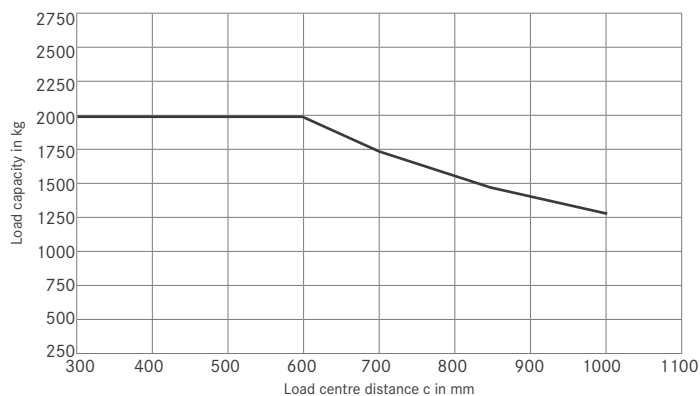
Load capacity FM-X 14/14 N/14 W/14 EW



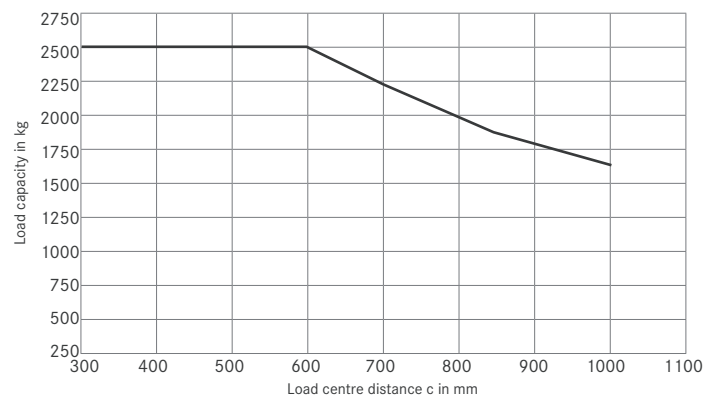
Load capacity FM-X 17/17 N/17 W/17 EW



Load capacity FM-X 20/20 N/20 W/20 EW/20 HD



Load capacity FM-X 25/25 W/25 EW



FM-X Driver Seated Reach Truck
Mast Tables



Triplex				
	Height, mast lowered h ₁ in mm	Free lift h ₂ in mm	Lift h ₃ in mm	Height, mast extended h ₄ in mm
FM-X 10/10 N - FM-X 12/12 N FM-X 14/14 N/14 W/14 EW	1950	1390	4250	4810
	2015	1455	4440	5000
	2050	1490	4550	5110
	2200	1640	5000	5560
	2250	1690	5150	5710
	2300	1740	5300	5860
	2400	1840	5600	6160
	2450	1890	5750	6310
	2500	1940	5900	6460
	2600	2040	6200	6760
2700	2140	6500	7060	
FM-X 10 N FM-X 10 FM-X 12 N FM-X 12	2800	2240	6700	7260
	2900	2340	7000	7560
	2800	2240	6700	7360
FM-X 14/14 N/14 W/14 EW	2900	2340	7000	7660
	2800	2240	6800	7360
	2900	2340	7100	7660
	3000	2440	7400	7960
	3100	2540	7700	8260
	3200	2640	8000	8560
	3300	2740	8300	8860
	3400	2840	8600	9160
	3500	2940	8900	9460
	3600	3040	9200	9760
FM-X 14 N - FM-X 17 N	3700	3140	9500	10060
	3800	3240	9800	10360
	1950	1380	4250	4820
	2015	1445	4440	5010
	2050	1480	4550	5120
	2200	1630	5000	5570
	2250	1680	5150	5720
	2300	1730	5300	5870
	2400	1830	5600	6170
	2450	1880	5750	6320
FM-X 17/17 N/ FM-X 17 W/17 EW	2500	1930	5900	6470
	2600	2030	6200	6770
	2700	2130	6500	7070
	2800	2230	6800	7370
	2900	2330	7100	7670
	3000	2430	7400	7970
	3100	2530	7700	8270
	3200	2630	8000	8570
	3300	2730	8300	8870
	3400	2830	8600	9170
FM-X 20/20 N/20 W/20 EW	3500	2930	8900	9470
	3600	3030	9200	9770
	3700	3130	9500	10070
	3800	3230	9800	10370
	3900	3330	10100	10670
	4000	3430	10400	10970
	4100	3530	10700	11270
FM-X 20 HD	4200	3630	11000	11570
	4300	3730	11300	11870
	4400	3830	11600	12170
	4500	3930	11900	12470
	4650	4080	12050	12620
	5200	4630	12500	13070
	5350	4780	13000	13570
	5200	4578	12500	13122
	5350	4728	13000	13622

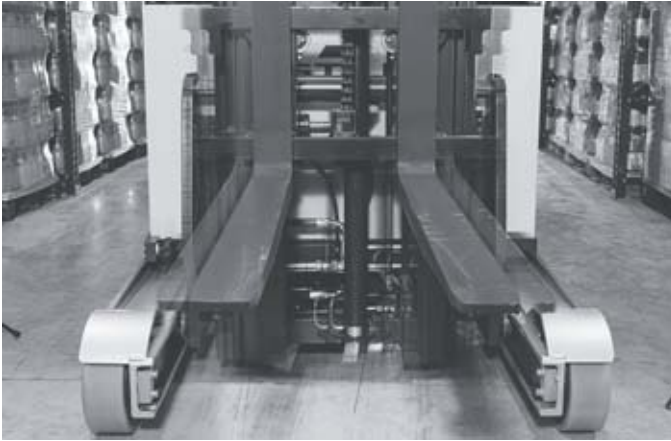
Triplex				
	Height, mast lowered h ₁ in mm	Free lift h ₂ in mm	Lift h ₃ in mm	Height, mast extended h ₄ in mm
FM-X 20/25 W/25 EW	1950	1380	4080	4650
	2015	1445	4270	4840
	2050	1480	4380	4950
	2200	1630	4830	5400
	2250	1680	4980	5550
	2300	1730	5130	5700
	2400	1830	5430	6000
	2450	1880	5580	6150
	2500	1930	5730	6300
	2600	2030	6030	6600
	2700	2130	6330	6900
	2800	2230	6630	7200
	2900	2330	6930	7500
	3000	2430	7200	7770
	3100	2530	7500	8070
	3200	2630	7800	8370
	3300	2730	8000	8570
	3400	2830	8300	8870
	3450	2880	8450	9020
	FM-X 20/20 W/20 EW	3500	2930	8600
3600		3030	8900	9470
3700		3130	9200	9770
3800		3230	9500	10070
3900		3330	9800	10370
4000		3430	10100	10670
4100		3530	10400	10970
4200		3630	10700	11270
4300		3730	11000	11570
4400		3830	11300	11870

Triplex				
	Height, mast lowered h ₁ in mm	Free lift h ₂ in mm	Lift h ₃ in mm	Height, mast extended h ₄ in mm
FM-X 25/25 W/25 EW	1950	1328	4080	4702
	2015	1393	4270	4892
	2050	1428	4380	5002
	2200	1578	4830	5452
	2250	1628	4980	5602
	2300	1678	5130	5752
	2400	1778	5430	6052
	2450	1828	5580	6202
	2500	1878	5730	6352
	2600	1978	6030	6652
	2700	2078	6330	6952
	2800	2178	6630	7252
	2900	2278	6930	7552
	3000	2378	7200	7822
	3100	2478	7500	8122
	3200	2578	7800	8422
	3300	2678	8000	8622
	3400	2778	8300	8922
	3450	2828	8450	9072
	3500	2878	8600	9222
	3600	2978	8900	9522
	3700	3078	9200	9822
	3800	3178	9500	10122
	3900	3278	9800	10422
	4000	3378	10100	10722
4100	3478	10400	11022	
4200	3578	10700	11322	
4300	3678	11000	11622	
4400	3778	11300	11922	
4500	3878	11600	12222	
4650	4028	12050	12672	

Masts with heights of up to 2450 mm and hydraulic mast side shift have a tilt angle of 1° forward and 3° backward.
Masts with hydraulic side shift have a fork tilt angle of 2° forward and 4° backward or optionally 3° forward and 3° backward.

Masts with heights of up to 2450 mm and hydraulic mast side shift have a tilt angle of 1° forward and 3° backward.
Masts with hydraulic side shift have a fork tilt angle of 2° forward and 4° backward or optionally 3° forward and 3° backward.

FM-X Driver Seated Reach Truck
Detailed Photos



Great view of goods thanks to unique sideshift mast



Individually adjustable driver workspace



Ergonomic and sensitive control thanks to Joystick 4Plus



Easy to operate all functions without grasping thanks to fingertip operation



Ergonomically optimal position thanks to proportional seat and footplate adjustment



Relaxed view upwards and beyond goods, thanks to unique comfortable reclining seat

FM-X Driver Seated Reach Truck

Top-level precision

13 metre lift height with high residual load capacity

Active Load Stabilisation (ALS)

Holistic ergonomics concept

The FM-X is always more than just a fork ahead of the rest. Thanks to Active Load Stabilisation (ALS) you can deal with the next goods transport while others would still be waiting for the mast to stop vibrating. An automatic equalising pulse provides a fast and effective way of stopping the vibrations from occurring at great heights, reducing the waiting time at the shelf by up to 80 per cent. The result is a significant increase in turnaround speed. Furthermore, the available storage space can be used more efficiently with the FM-X than ever before; the high residual load capacity means that the reach truck can lift loads of up to 1,000 kg to an incredible height of 13 metres.

Relaxed, comfortable and safe work throughout the whole shift guaranteed by the holistic ergonomics concept. Footplate, steering wheel, seat – all these components can be individually adjusted to match the work requirement at hand as well as the stature and preferences of the driver. The FM-X is a compact and efficient energy bundle convincing with top availability thanks to Li-Ion technology. This does not only allow opportunity charging at any time – it is also fast: 50% of the battery is chargeable in only 30 minutes. Many other details, such as the optional tilting seat and the exclusive STILL mast side shift, for example, make the FM-X an ideal organiser in any warehouse – from operating high racks to long distance haul or replenishment.



Extensive Equipment

Power

- Stable forklift mast with high residual load capacity for lift heights of up to 13 metres (1,000 kg)
- Powerful acceleration combined with high travel speeds of 14 km/h and lifting speeds of up to 0.50 m/s
- Sufficient energy for any use, thanks to battery capacities of 360 Ah to 930 Ah
- Lasting energy for multi-shift operation: high battery capacity and optional battery change over the side
- Top availability: The lithium-ion battery bundles a lot of energy and can be quickly and easily opportunity charged

Precision

- High reloading performance: reduced mast vibrations, thanks to Active Load Stabilisation (ALS) for greater lifting heights
- OPTISPEED reduces mast vibrations to a minimum for medium lifting heights and enables quick goods handling
- Great view of goods without being disrupted by hydraulic lines on the fork carriage, thanks to its unique sideshift mast
- Top precision right from the first millimetre thanks to the optical lift height sensor

Ergonomics

- Cushioned driver's seat to reduce impact when driving over uneven surfaces
- Seat can be adjusted to the best ergonomic position, thanks to proportional adjustment of the seat and foot plate
- Relaxed view upwards and beyond goods, thanks to unique comfortable reclining seat

- Easy to operate all functions without grasping, thanks to joystick or fingertip operation
- Easy storage and retrieval with the Easy Target lift height pre-selection system

Compactness

- Suitable for even the most narrow working widths, thanks to the reach truck concept
- Thanks to its particularly narrow chassis, the FM-X N is suitable for use in block storage and one-way shelving
- The FM-X W version allows picking up industrial pallets lengthwise between the straddle arms
- The FM-X EW version allows picking up industrial and Euro pallets crosswise between the straddle arms

Safety

- The large step and handle make it safe and easy to get in
- Versatile, flexible access control with FleetManager 4.x
- Extremely safe to drive round bends with curve speed control depending on steering angle

Environmental Responsibility

- Long-lasting and energy-saving LED headlights
- Blue-Q efficiency module saves up to 10% energy at the press of a button with no loss of performance
- Energy recovery when braking means you can use the machinery for longer with optimum use of resources
- Low operation costs: low energy consumption and long maintenance intervals

FM-X Driver Seated Reach Truck
Equipment Variants



	FM-X 10	FM-X 10 N	FM-X 12	FM-X 12 N	FM-X 14/W/EW	FM-X 14 N	FM-X 17/W/EW	FM-X 17 N	FM-X 20/W/EW	FM-X 20 N	FM-X 20 HD	FM-X 25/W/EW	
Driver's seat	Amoured glass overhead guard with headrest	○	○	○	○	○	○	○	○	○	○	○	
	Steering wheel and seat adjustment	●	●	●	●	●	●	●	●	●	●	●	
	Comfortable seat with hydraulic damping and weight adjustment	●	●	●	●	●	●	●	●	●	●	●	
	Comfortable reclining seat	○	—	○	—	○	—	○	—	○	—	○	
	Cushioned driver's seat for optimum comfort on uneven surfaces and when going over bumps	○	—	○	—	○	—	○	—	○	—	○	
	Heated driver's seat	○	○	○	○	○	○	○	○	○	○	○	○
	Leatherette driver's seat	○	○	○	○	○	○	○	○	○	○	○	○
	Proportional adjustment of seat and foot plate	○	—	○	—	○	—	○	—	○	—	○	○
	Joystick operation (hydraulic control system without grasping)	●	●	●	●	●	●	●	●	●	●	●	●
	Fingertip controls (hydraulic control system with four individual levers)	○	○	○	○	○	○	○	○	○	○	○	○
	Five driver profiles, selected according to operator	●	●	●	●	●	●	●	●	●	●	●	●
	Integrated storage facilities, drink holder	●	●	●	●	●	●	●	●	●	●	●	●
	Panoramic rear-view mirror	●	●	●	●	●	●	●	●	●	●	●	●
Display: clear display of active operating states	●	●	●	●	●	●	●	●	●	●	●	●	
Steering	Fully electric 360° steering	●	●	●	●	●	●	●	●	●	●	●	
	Fully electric 180° steering	○	○	○	○	○	○	○	○	○	○	○	
	Fully electric steering with reverse function	○	○	○	○	○	○	○	○	○	○	○	
	Redundant steering safety system	●	●	●	●	●	●	●	●	●	●	●	
Mast	Triple free view mast with free lift	○	○	○	○	○	○	○	○	○	○	○	
	Hydraulic mast for lateral shifting with mast tilt	●	—	●	—	●	—	●	—	●	—	●	
	Hydraulic sideshifter with fork tilt	○	●	○	—	○	●	○	—	○	●	○	
	Mast reach damping system	●	●	●	●	●	●	●	●	●	●	●	
Hydraulics	Free view fork carriage	●	●	●	●	●	●	●	●	●	●	●	
	Ancillary hydraulics, onefold or twofold	○	○	○	○	○	○	○	○	○	○	○	
	Proportional valve technology for sensitive movements	●	●	●	●	●	●	●	●	●	●	●	
	Individual parametrisation options for hydraulic functions	●	●	●	●	●	●	●	●	●	●	●	
Drives	Multiple hydraulic movements can be controlled simultaneously	●	●	●	●	●	●	●	●	●	●	●	
	Smooth, continuous acceleration to maximum speed	●	●	●	●	●	●	●	●	●	●	●	
	Maintenance-free drives for driving, steering and lifting	●	●	●	●	●	●	●	●	●	●	●	
	Fully enclosed component which is impervious to dirt and dust	●	●	●	●	●	●	●	●	●	●	●	
Brake	Integral current and temperature sensors for function monitoring	●	●	●	●	●	●	●	●	●	●	●	
	Generator braking system	●	●	●	●	●	●	●	●	●	●	●	
	Energy recovery when braking	●	●	●	●	●	●	●	●	●	●	●	
	Hydraulic impeller brake as additional brake	●	●	●	●	●	●	●	●	●	●	●	
Safety and performance	Electromagnetic disc brake as parking brake and emergency stop	●	●	●	●	●	●	●	●	●	●	●	
	PIN code access, keyless, with button	○	○	○	○	○	○	○	○	○	○	○	
	Indicator light	○	○	○	○	○	○	○	○	○	○	○	
	Warning light	○	○	○	○	○	○	○	○	○	○	○	
	Safety Light and Safety Light 4Plus	○	○	○	○	○	○	○	○	○	○	○	
	LED headlights	○	○	○	○	○	○	○	○	○	○	○	
	Overhead guard with Makrolon or mesh grid	○	○	○	○	○	○	○	○	○	○	○	
	Steering angle-dependent speed control	○	○	○	○	○	○	○	○	○	○	○	
	Stroke shut-off for intermediate stroke and/or end stroke limiting	○	○	○	○	○	○	○	○	○	○	○	
	Lift height display	○	○	○	○	○	○	○	○	○	○	○	
	Lift height pre-selection system Easy Target with Easy Target Plus	○	○	○	○	○	○	○	○	○	○	○	
	FleetManager: access authorisation, shock detection, reports	○	○	○	○	○	○	○	○	○	○	○	
	OPTISPEED: lift height and load-dependent speed regulation	○	○	○	○	○	○	○	○	○	○	○	
Active vibration damping of the mast	—	—	—	—	● ¹	○	● ¹	○	● ¹	○	● ¹		
Audible driving warning signal (Digisound)	○	○	○	○	○	○	○	○	○	○	○		
Battery system	Battery changing with crane	●	●	●	●	●	●	●	●	●	●	●	
	Battery changing from the side with roller track	○	○	○	○	○	○	○	○	○	○	○	
	Battery compartment for 420 Ah battery	●	●	●	●	●	●	●	●	—	—	—	
	Battery compartment for 560 Ah battery	○	○	○	○	○	○	○	○	●	—	—	
	Battery compartment for 700 Ah battery	—	—	—	—	○	○	○	○	○	○	●	
	Battery compartment for 900 Ah battery	—	—	—	—	—	—	—	—	○	○	○	
	204 Ah STILL Li-Ion battery	○	○	○	○	○	—	○/—/—	—	—	—	—	
817 Ah STILL Li-Ion battery	○	○	○	○	○	—	○	—	○	—	○		
Additional equipment	Battery transport and changing frame	○	○	○	○	○	○	○	○	○	○	○	
	Various fork lengths	○	○	○	○	○	○	○	○	○	○	○	
	Preparation for data terminal	○	○	○	○	○	○	○	○	○	○	○	
	Automatic fork tilt and sideshift centring at the press of a button	○	○	○	○	○	○	○	○	○	○	○	
	Cold store version	○	○	○	○	○	○	○	○	○	○	○	
	Convenient cold store cab, ISO glazing, heated	○	—	○	—	○	—	○	—	○	—	○	
	Convenient cold store cab, VSG glazing, heated	○	—	○	—	○	—	○	—	○	—	○	
	Load backrest	○	○	○	○	○	○	○	○	○	○	○	
	Overhead guard for drive-in racks	○	○	○	○	○	○	○	○	○	○	○	
	Lateral guide wheels for drive-in operation	○	○	○	○	○	○	○	○	○	○	○	
	Impeller cover	○	○	○	○	○	○	○	○	○	○	○	
Shift and lowering lock	○	○	○	○	○	○	○	○	○	○	○		
Prong camera system	○	○	○	○	○	○	○	○	○	○	○		
Dual-pedal control	○	○	○	○	○	○	○	○	○	○	○		

¹ For fixed mast exceeding 3,700 mm in height

● Standard ○ Optional — Not available

STILL



STILL Materials Handling Ltd
Aston Way
Leyland Preston
PR26 7UX
Tel.: +44 (0)845 603 6827

STILL Materials Handling Ltd
Jacks Way
Hill Barton
Business Park
Clyst St. Mary
Exeter
EX5 1FG
Tel.: +44 (0)345 603 6827

info@still.co.uk

For further information please visit:

www.still.co.uk



STILL is certified in the following areas: Quality management, occupational safety, environmental protection and energy management.



first in intralogistics